

Everything About Sandblasting



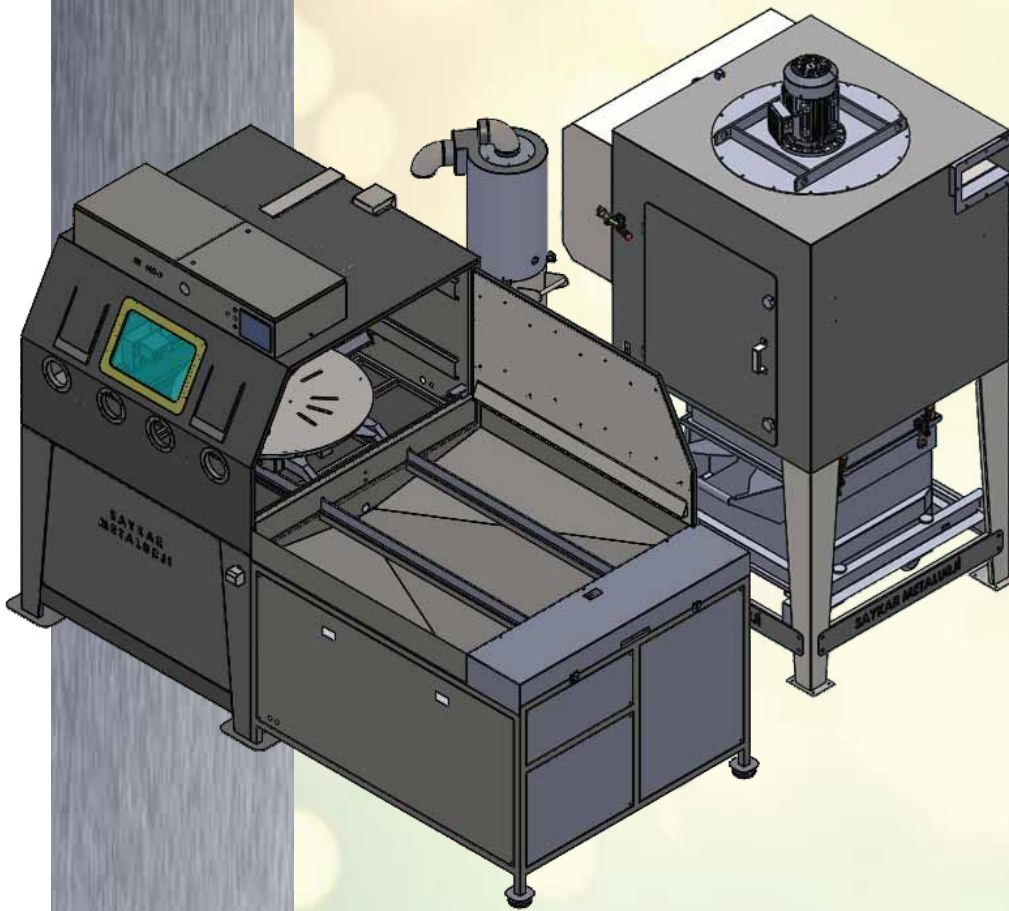
SK 1600B0

Saykar has been manufacturing surface treatment machines working with pressurised air since 2003. The design and principles of operation of these machines are entirely owned by Saykar.

SK 1600B0 Pressure Sandblasting Machine; has a compact design with filter system and produced for sandblasting up to 150cm parts.

It is high pressure type sandblasting machine suitable for general purpose sandblasting processes. It is a self-cleaning eco-friendly machine with Jet Pulse filter system.

Sandblasting pressure and abrasive quantity can be adjusted. This machine is specially developed for surface treatment of heavy parts that can be loaded with forklift or crane.



Compact Design and Original Working Principle

High Blasting Power with Pressure System

Adjustable Fan Suction Power

Sand and Dust Cyclone Separation Feature

JET-PULSE Filter System

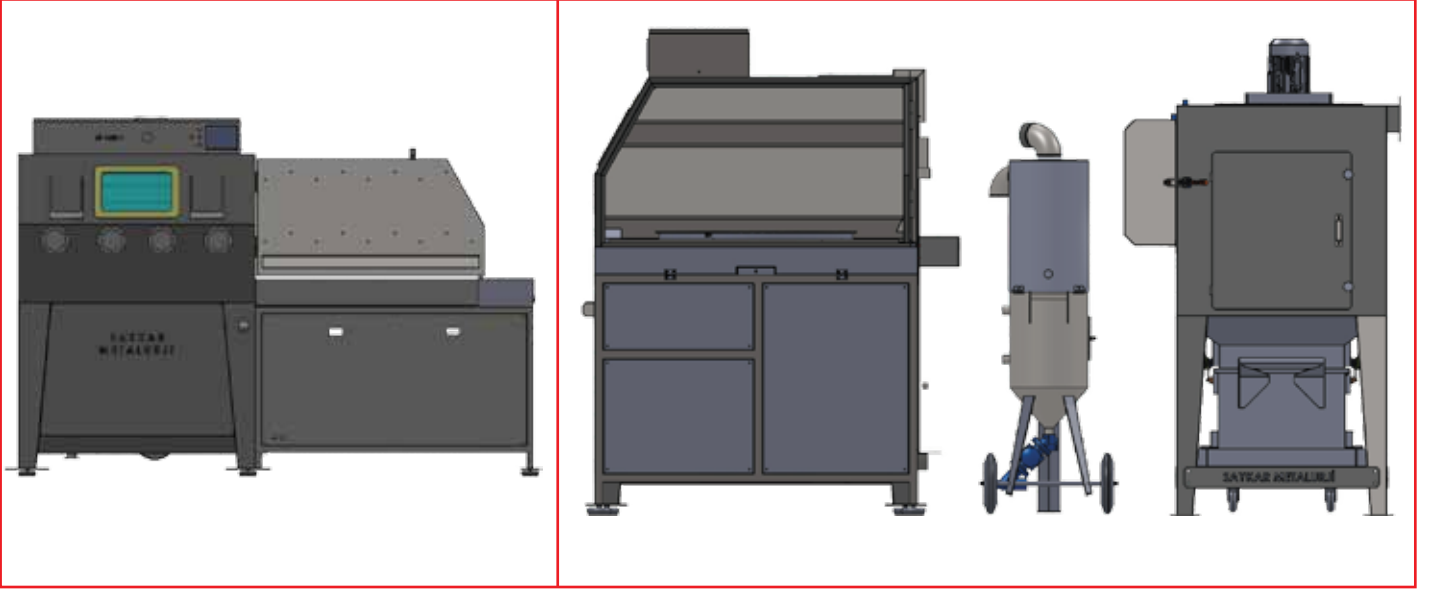
High Processing Capacity

PLC Control 7 " Touch Screen

High Working Safety

SK 1600BO

Pressure Sandblasting Machine



Pressure Sandblasting Machine with Automatic Loading Turntable, Saykar design, has high processing capacity, especially in the sandblasting works that require power, as well as the ability to perform fast cleaning and coating removal can be done three times faster than injection type machines. This pressure sandblasting machine with its wide cabin dimensions can be used for surface preparation processes before coating and can be used to remove the coatings on the surfaces of faulty products.

Standard Features	Explanation
• Sandblasting Cabinet Filter	JET PULSE System 4 Set - 1 Micron Teflon Cartridge - Automatic Timer Self Cleaning - 7.5 Kwh Fan Motor with High Suction Power
• Sandblasting Cabinet	Single Door - Laser Cut 1600x1600x1000(h) mm Dimensions
• Electrical Panel	Coded to CE Norms, Motor Protected, Pressure and Phase Indicator
• Sandblasting Nozzle	Boron Carbide Nozzle - 1500 Hours Operation Guaranteed
• Air Consumption	2.4-3.5 m ³ / min in 6 bars (Depending on Nozzle Diameter Used)
• Lighting	2x18 watt Led Lamp
• Foot Pedal	Foot Protected - Double Exit
• Regulator	Adjusting Sandblasting Pressure
• Sandblasting Glove	24" 1. Quality Rubber - Mapa Brand - CE Certified - Knurled Pattern
• Sight Glass	Panaromic, Stainless Protector
• Sandblasting System	High Pressure Type
• Electrostatic Paint	Ral 7035
• Dust Amount Gauge	Gauges at Dust Filter Chamber
• Cabinet Safety Package	Gate Switches, Solenoid Valve and Custom Made Panel

SANDBLASTING ABRASIVES USED IN SK 1600 BO PRESSURE SANDBLASTING MACHINE

TYPE	GRAIN FEATURES	PURPOSE OF USE
Aluminum Oxide	Hard, Angular	Roughening, Paint Removal
Glass Bead	Hard, Spherical	Finishing, Polishing
Garnet	Hard, Angular, Economic	Roughening, Paint Removal
Silicon Carbide	Hard, Angular	Roughening, Paint Removal
Ceramic Bead	Hard, Spherical	Finishing, Polishing
Glass Sand	Hard, Angular	Roughening, Paint Removal
Basalt	Hard, Angular	Roughening, Paint Removal
Blasting Soda	Soft, Angular	Paint Removal From Thin Materials
Plastic Abrasive	Soft, Angular	Precision Sandblasting
Steel Shot	Hard, Spherical, Economic	Finishing, Cleaning
Steel Grit	Hard, Angular, Ekonomik	Roughening, Coating Cleaning
Stainless Steel Grit	Hard, Angular	Roughening, Coating Cleaning
Stainless Steel Shot	Hard, Spherical	Finishing, Scratch Removal

Ferhatpaşa Mahallesi
Mareşal Fevzi Çakmak Cad.
No: 78/C Ataşehir İstanbul
Telefon: 0216 660 14 80
Fax: 0216 660 14 81



www.saykar.com
posta@saykar.com

SAYKAR
METALURJİ VE YÜZEY
İŞLEM ÜRÜNLERİ
NAK. TUR. SAN.
TİC. VE LTD. ŞTİ.