

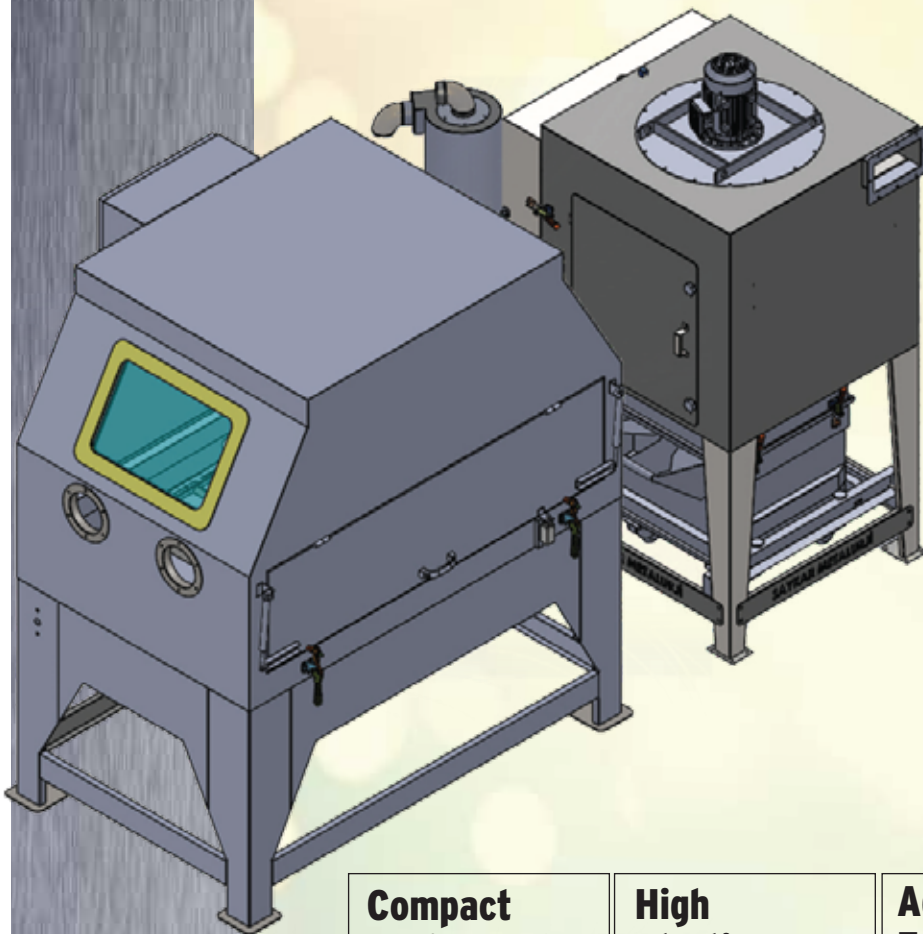
# Everything About Sandblasting



## SK 1600BK

Saykar has been manufacturing surface treatment machines working with pressurised air since 2003. The design and principles of operation of these machines are entirely owned by Saykar.

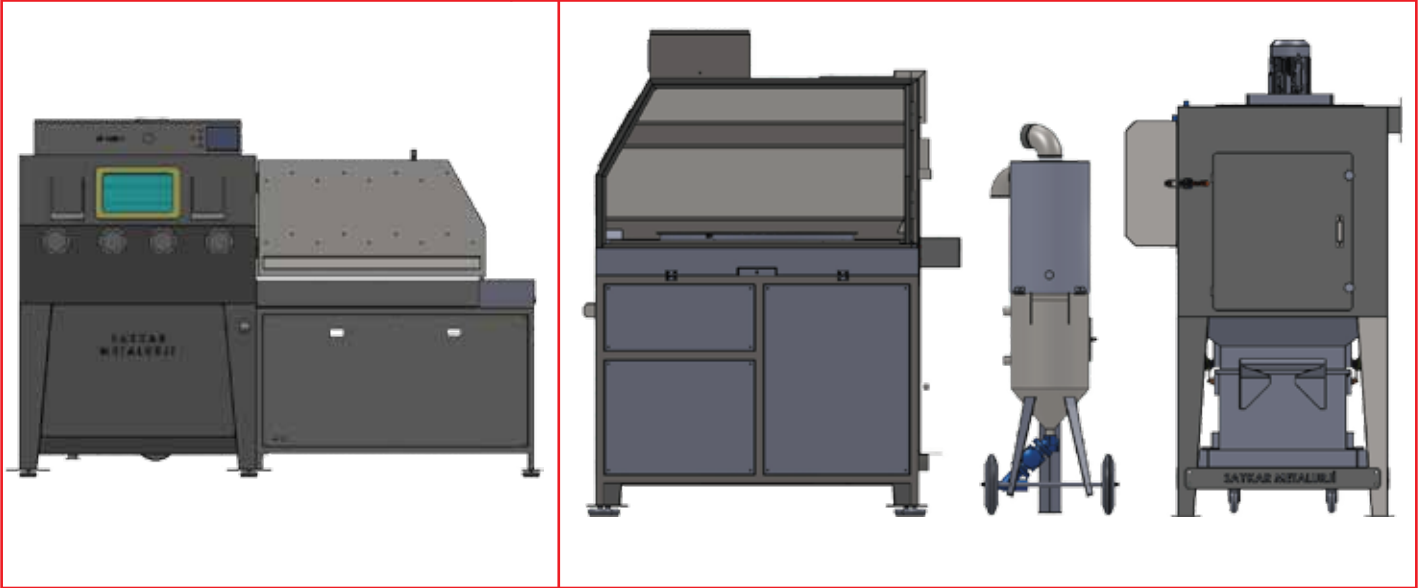
SK 1600BK Jeans Sandblasting Machine is formed from three units; Blasting filter, Pressure system and Sandblasting cabinet. It is especially designed for avoiding unhealthy sandblasting of jeans and textiles products. SK 1600 BK is a pressure type sandblasting machine and suitable for general purpose sandblasting processes of textiles. It is a self-cleaning eco-friendly machine with Jet Pulse filter system and two operators can work mutually. Sandblasting pressure and abrasive quantity can be adjusted.



<b>Compact Design and Original Working Principle</b>	<b>High Blasting Power with Pressure System</b>	<b>Adjustable Fan Suction Power</b>	<b>PLC Control 7" Touch Screen</b>
<b>JET-PULSE Filter System</b>	<b>High Processing Capacity</b>	<b>Sand and Dust Cyclone Separation Feature</b>	<b>Two Operators Can Work Mutually</b>

# SK 1600BK

## Jeans Sandblasting Machine



SK 1600BK Jeans Sandblasting Machine is designed and manufactured to meet the needs of the textile sector. It does not remove any dust when working with its special production filter. The switches placed on the covers, solenoid valves and special production panel provide high security operation.

Standard Features	Explanation
• Sandblasting Cabinet Filter	JET PULSE System 4 Set - 1 Micron Teflon Cartridge - Automatic Timer Self Cleaning - 7.5 Kwh Fan Motor with High Suction Power
• Sandblasting Cabinet	Single Door - Laser Cut 1600x1600x1000(h) mm Dimensions
• Electrical Panel	Coded to CE Norms, Motor Protected, Pressure and Phase Indicator
• Sandblasting Nozzle	Boron Carbide Nozzle - 1500 Hours Operation Guaranteed
• Air Consumption	2.4-3.5 m <sup>3</sup> / min in 6 bars (Depending on Nozzle Diameter Used)
• Lighting	2x18 watt Led Lamp
• Foot Pedal	Foot Protected - Double Exit
• Regulator	Adjusting Sandblasting Pressure
• Sandblasting Glove	24" 1. Quality Rubber - Mapa Brand - CE Certified - Knurled Pattern
• Sight Glass	Panaromic, Stainless Protector
• Sandblasting System	High Pressure Type
• Electrostatic Paint	Ral 7035
• Dust Amount Gauge	Gauges at Dust Filter Chamber
• Cabinet Safety Package	Gate Switches, Solenoid Valve and Custom Made Panel

### SANDBLASTING ABRASIVES USED IN SK 1600 BK PRESSURE SANDBLASTING MACHINE

TYPE	GRAIN FEATURES	PURPOSE OF USE
Aluminum Oxide	Hard, Angular	Roughening, Paint Removal
Glass Bead	Hard, Spherical	Finishing, Polishing
Garnet	Hard, Angular, Economic	Roughening, Paint Removal
Silicon Carbide	Hard, Angular	Roughening, Paint Removal
Ceramic Bead	Hard, Spherical	Finishing, Polishing
Glass Sand	Hard, Angular	Roughening, Paint Removal
Basalt	Hard, Angular	Roughening, Paint Removal
Blasting Soda	Soft, Angular	Paint Removal From Thin Materials
Plastic Abrasive	Soft, Angular	Precision Sandblasting
Steel Shot	Hard, Spherical, Economic	Finishing, Cleaning
Steel Grit	Hard, Angular, Ekonomik	Roughening, Coating Cleaning
Stainless Steel Grit	Hard, Angular	Roughening, Coating Cleaning
Stainless Steel Shot	Hard, Spherical	Finishing, Scratch Removal

Ferhatpaşa Mahallesi  
Mareşal Fevzi Çakmak Cad.  
No: 78/C Ataşehir İstanbul  
Telefon: 0216 660 14 80  
Fax: 0216 660 14 81

[www.saykar.com](http://www.saykar.com)  
[posta@saykar.com](mailto:posta@saykar.com)

